

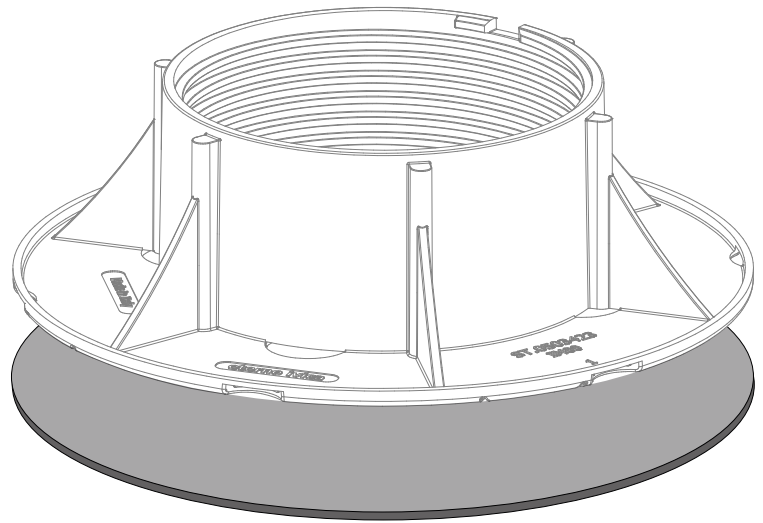
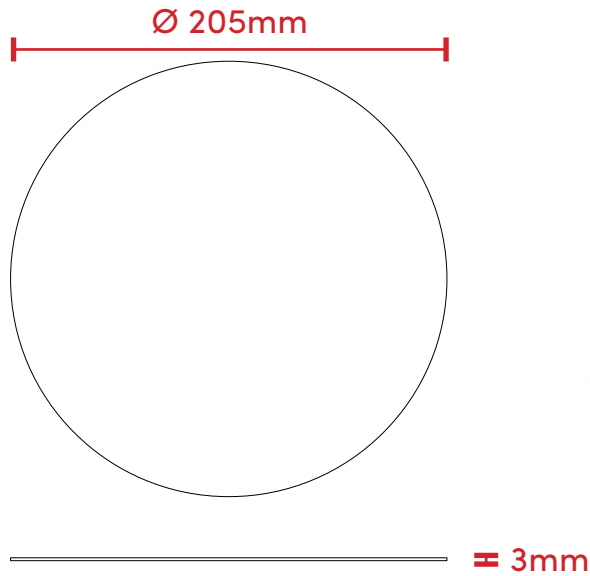


TECHNICAL DATA SHEET

SCUDO SEPARATING LAYER

eternoivica

INNOVATION LEADER



TECHNICAL SPECIFICATION

“Scudo” is a 3 mm thick and 205mm in diameter high density modified closed cell expanded insulating layer. Applied under the base of the support, it acts as a separating layer, protects the waterproof covering from the flooring supports, also decreases the acoustic bridge that is created between the floor and the laying surface, avoiding the impact of impact noise.

E083000223 = Scudo

E083000233 = Adhesive Scudo

RAW MATERIAL:

Chemically cross-cell expanded polyethylene with closed cells.

ENVIRONMENTAL IMPACT:

recyclable material - not dangerous

ADVANTAGES:

It protects the waterproof covering from the laying of flooring support;
It decreases the acoustic bridge between the floor and the laying surface;
available in two versions: adhesive and non-adhesive.

SUPPORT COMPATIBILITY:

Prime - SR - SE - NM - SB

GENERAL CHARACTERISTICS & PROPERTIES

MECHANICAL & RHEOLOGICAL PROPERTIES	VALUE	UNIT	DIN
Density	70+/-5	Kg/m ³	DIN 53420
Shore hardness	30+/-3	Sh A - (punti)	ASTM D 2240-75
Water absorpiot at saturation	<3	Vol.%	DIN 53433
Water vapor permeability	<0.034	ng/Pa s m	DIN 52615
Longitudinal breaking load	>0.51	N/mm ²	DIN 53571
Transverse breaking load	>0.40	N/mm ²	DIN 53571
Longitudinal elongation at break	>90	%	DIN 53571
Transverse elongation at break	>100	%	DIN 53571
Compression stress at deflection 10%	>58	kPa	DIN 53577
Compression stress at deflection 25%	>85	kPa	DIN 53577
Compression stress at deflection 50%	>165	kPa	DIN 53577
(Compression Set 22h,25%.+23°C) after 0.5h from the compression release	<12	%	DIN 53572
(Compression Set 22h,25%.+23°C) after 24h from the compression release	<5	%	DIN 53572
(Compression Set 22h,25%.+23°C) after 100h from the compression release	<3	%	DIN 53572



TECHNICAL DATA SHEET

SCUDO SEPARATING LAYER

eternoivica

INNOVATION LEADER



THERMAL PROPERTIES	VALUE	UNIT	DIN
Operating temperature	-40	°C	DIN 51949
Operating temperature	Up to +90	°C	DIN 53431
Thermal conductivity at 0°C	app.0.047	W/Mk	DIN 52612
Thermal conductivity at 23°C	app.0.051	W/Mk	DIN 52612
Thermal conductivity at 40°C	app.0.054	W/Mk	DIN 52612

RESISTANCE AT: diffusion of water vapor, chemical agents, molds, parasites, ozone, weatherproof, UV.

HEALTH: Without asbestos, without CFC, no odor expansion gas.

ADHESIVE LAYER

GENERAL CHARACTERISTICS & PROPERTIES

TECHNICAL PRODUCT DATA	
Chemical base	Thermoplastic Rubber
Colour	Yellowish, clear
Density (CQP 006-7)	1.0 Kg/L approx.
Solid content	100%
Cure mechanism	Physical hardening
Peel Strength (CQP 568-1)	40N/25mm approx.
Application temperature	150-190 °C
Viscosity at 170°	5000-6600 mPas
Softening temperature (CQP 538-5)	100+/-5 °C
Shear adhesion failure temperature SAFT (CQP 560-1)	74 °C approx.
An excess of the recommended storage temperature during transport is not critical	

SHIELD COMPATIBILITY WITH WATERPROOF MEMBRANES

LONG NAME OF THE POLYMER BASE	ABBREVIATION	COMPATIBILITY
Thermoplastic Poly Olefin / Flexible Poly Olefin	TPO/FPO	COMPATIBLE
Plasticized polyvinyl chloride	PVC-P	COMPATIBLE
Atactic Poly Propylen	APP	COMPATIBLE
Styrene-Butadiene-Styrene	SBS	COMPATIBLE
Atactic Poly Alpha Olefin	APAO	COMPATIBLE
Ethylene-Propylene Diene Monomer	EPDM	COMPATIBLE

The values shown represent the crossing of the data of the technical sheets received from the suppliers of raw material (granule) and represent the average of a significant sample of the product and are provided to give indications to the user; they do not constitute a guarantee and do not generally imply any guarantee or commitment on the part of the Company.

Eterno Ivica srl. It reserves the right to be able to constantly update this data from the cross-reference of the data supplied by the selected raw material suppliers.

The packaging of the supports consists of cardboard boxes. The final packaging of the pallets is made with the wrapping of a polyethylene film. Indoor storage, protected from precipitation, is recommended.

The above data are relevant to current production and may be changed or updated by Eterno Ivica at any time without notice. Given the many possible uses and the possible interference of external elements, we do not assume responsibility for the results. The buyer is required to establish under their own responsibility the suitability of the product for the intended use. This document is property of Eterno Ivica. All rights reserved.